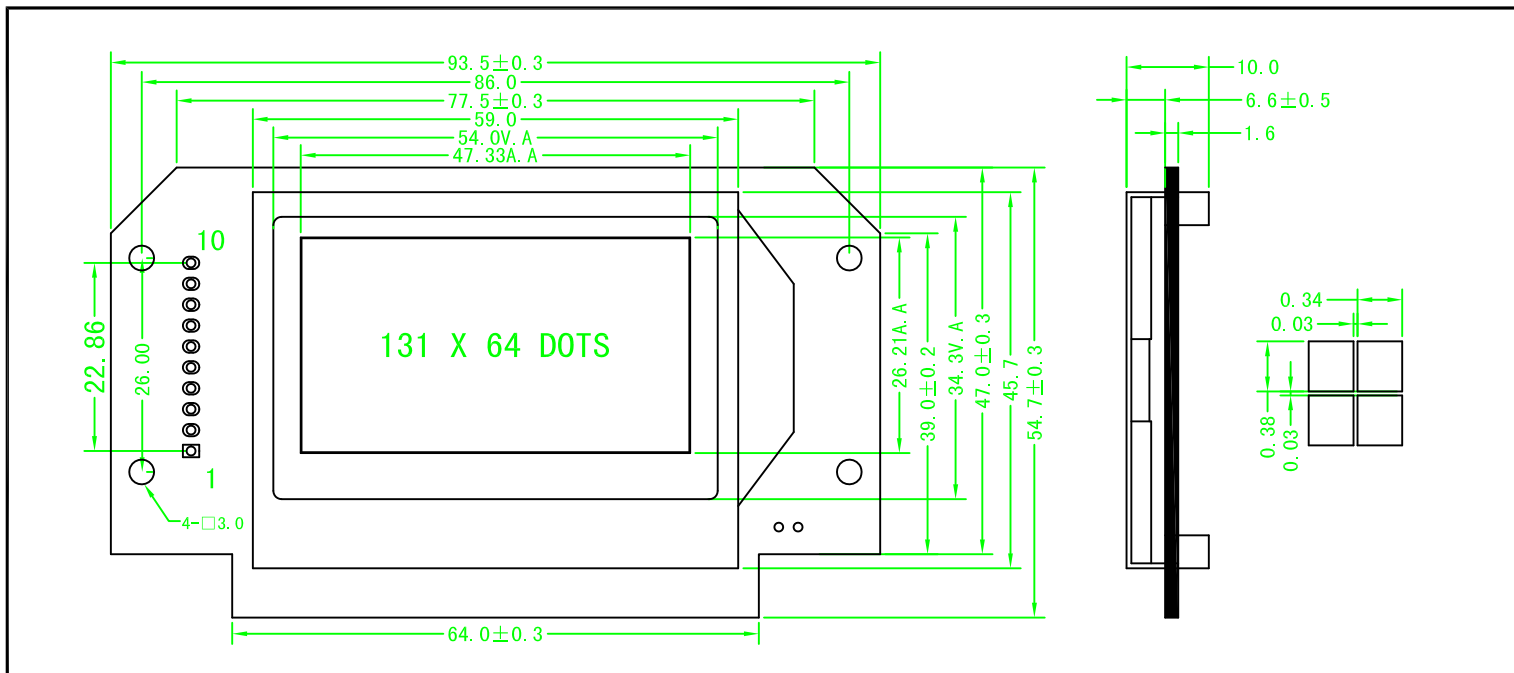
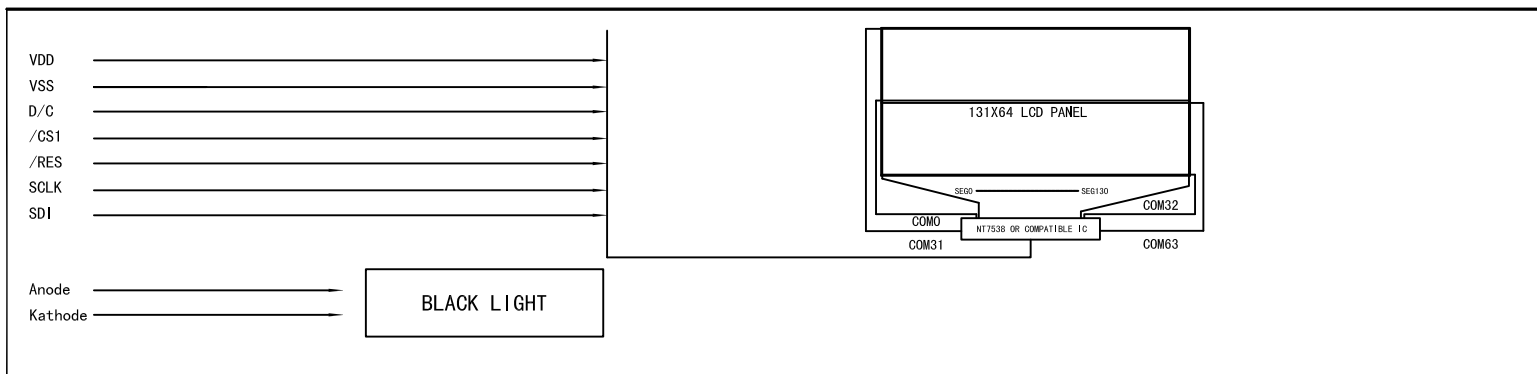


1.0 DIMENSIONAL DRAWING



2.0 BLOCK DIAGRAM & POWER SUPPLY



3.0 MECHANICAL SPECIFICATIONS & FEATURE

Item	Nominal Dimensions (mm)	Feature	
		LCD Type	STN
Module Size(W*H*T)	93.5×54.7×10.0	LCD Colure	Y-G
View Area(W*H)	54.0 × 34.3	View Angle	6 O'clock
Dot × Dot(W*H)	131 × 64	Display Type	Positive Type
Dot Pitch(W*H)	0.37 × 0.41	Rear Polarizer	Transmissive
Dot Size(W*H)	0.34 × 0.38	Operating Temperature	-10° C to +55° C
---	---	Storage Temperature	-20° C to +70° C
---	---	Backlight	LED (Green)

4.0 ELECTRICAL CHARACTERISTICS

Item	Symbol	Test Condition	Min.	Typ.	Max.	Unit
Operating Voltage	Vdd	Ta=25° C	---	3.0	---	V
Operating Voltage For LCD	Vlcd	Ta=25° C	---	9.0	---	V
Supply Current	Idd	Ta=25° C, Vdd=3.0V	---	15	---	μA
Supply Current For Backlight	If	Ta=25° C, VAK=3.0V	---	30	---	mA

5.0 INTERFACE PIN CONNECTIONS

Pin No.	Symbol	Level	Description
1	VDD	3.0V	LCM Power Supply Positive Input Terminal
2	/RES	H→L, H	LCM Reset Signal Input Terminal
3	D/C	H/L	LCM Data/command Signal Input Terminal
4	VDD	3.0V	LCM Power Supply Positive Input Terminal
5	SCLK	H/L	LCM Enable Signal Input Terminal
6	VSS	0V	LCM Power Supply Negative Input Terminal
7	SDI	H/L	LCM Data Input Terminal
8	A	3.0V	LED Backlight Power Supply Positive Input Terminal
9	/CS1	L	LCM Selection Signal Input Terminal
10	VSS	0V	LCM Power Supply Negative Input Terminal